

## Install

# CMS 1201SW

12" Ceiling Subwoofer for Installation Applications



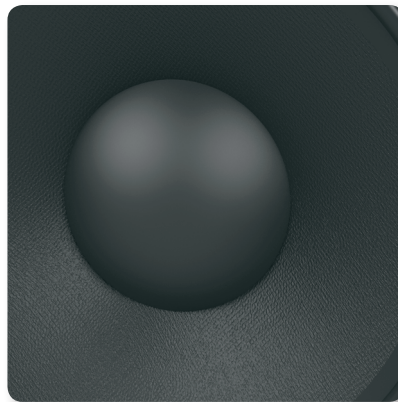
- High power ceiling subwoofer for installation applications
- 400 Watts continuous, 1,600 Watts peak power
- 12" driver with long throw copper voice coil for low power compression
- Provides low frequency reinforcement for class-leading TANNOY CMS 3.0 range
- For use with CMS 1201SW back can and CMS 1201 grille assembly (available separately)
- Back can fixings allow multiple installation options
- Time-saving design enables one person speaker installation
- 10-Year Warranty Program\*
- Designed and engineered in the U.K.

The CMS 1201SW is a passive 1,600-Watt subwoofer and is ideally-suited for use with the CMS 3.0 range of ceiling monitor systems, or any full range system requiring extended bass response. Thanks to its powerful 12" long throw low frequency driver, the CMS 1201SW delivers dynamic LF extension and premium grade audio for installed music and speech reinforcement applications.



### Low Frequency Driver

Intended for systems utilising an external active crossover and separate amplifier channels for the subwoofers, CMS 1201SW's 12" (300 mm) bass driver features a 3" copper sandwich voice coil for low power compression, and triple aluminium demodulating rings for ultra-low distortion.



## Install

# CMS 1201SW

12" Ceiling Subwoofer for Installation Applications

### Optimised for Installation

The custom-engineered powder coated steel back-can and grille assembly (both available separately) have been designed to cater to all conceivable installation possibilities, making the CMS 1201SW extremely versatile. The internally-damped 79 litre (2.8 cubic feet) back-can provides exceptional LF performance that is easily on par with conventional wooden enclosure loudspeakers. Steel mounting lugs allow for fitting to a Unistrut roof rail system or for suspension via 4 top-mounted eye bolts. Alternatively, the design allows for a single point suspension, which can be handled via the use of M10 or 3/8" UNC screwed rod. Connection is quick and simple using terminal barrier strips inside the can, which are easily accessed via 20 and 29 mm conduit knockouts on all 5 sides. Installation can be facilitated by a single person, which can amount to considerable savings in large-scale projects.



### LAB GRUPPEN Ready

The CMS 1201SW is optimised to work in conjunction with LAB GRUPPEN amplification.

### You Are Covered

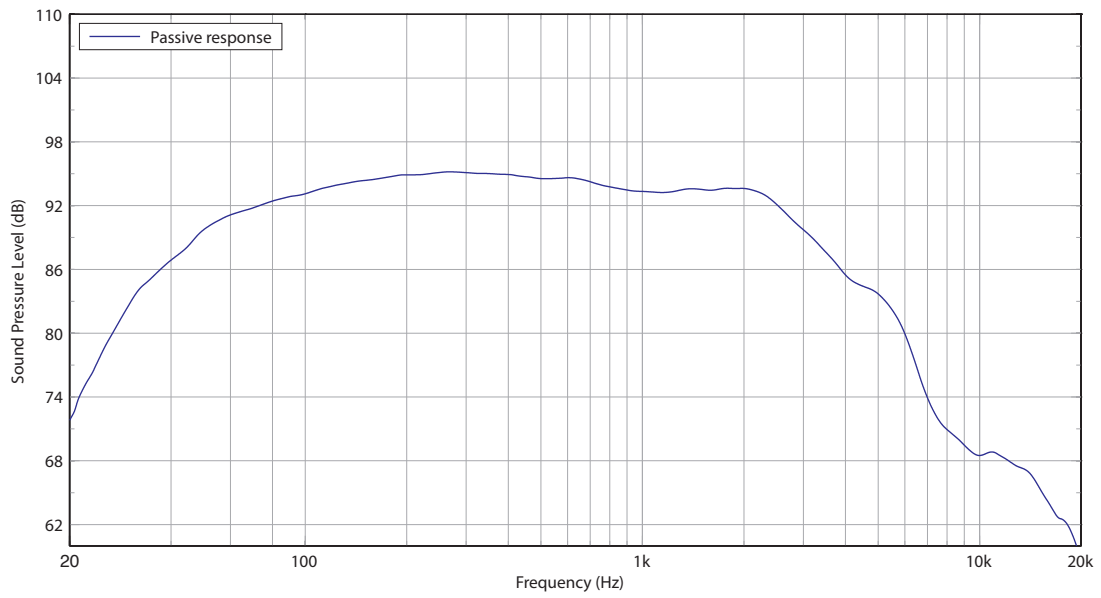
We always strive to provide the best possible Customer Experience. Our products are made in our own MUSIC Tribe factory using state-of-the-art automation, enhanced production workflows and quality assurance labs with the most sophisticated test equipment available in the world. As a result, we have one of the lowest product failure rates in the industry, and we confidently back it up with a generous Warranty program.



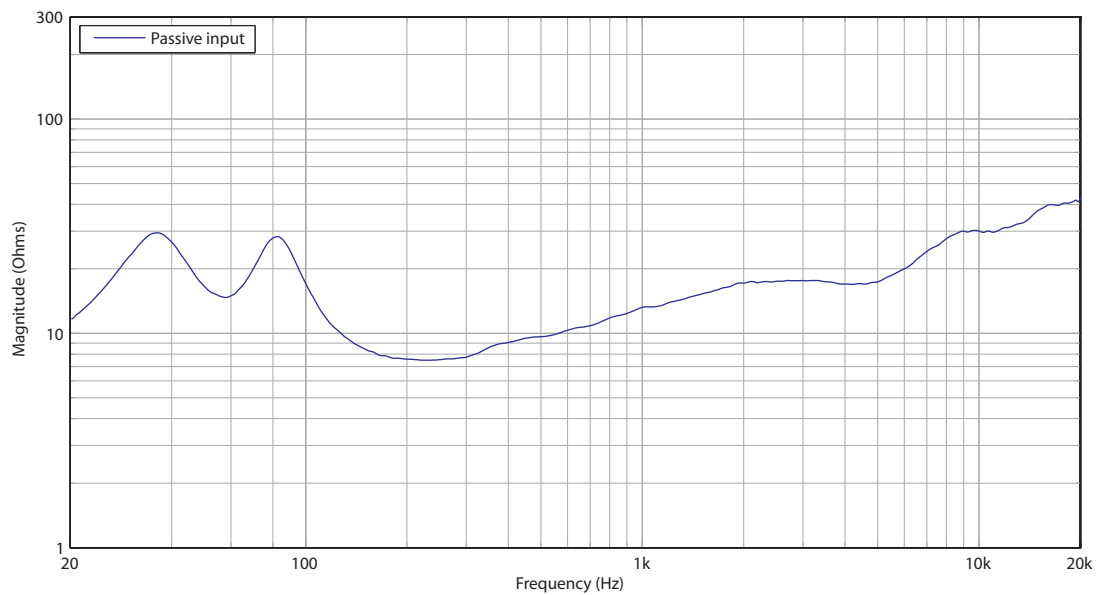
# CMS 1201SW

12" Ceiling Subwoofer for Installation Applications

## Frequency Response Sensitivity 1 W / 1 m



## Impedance

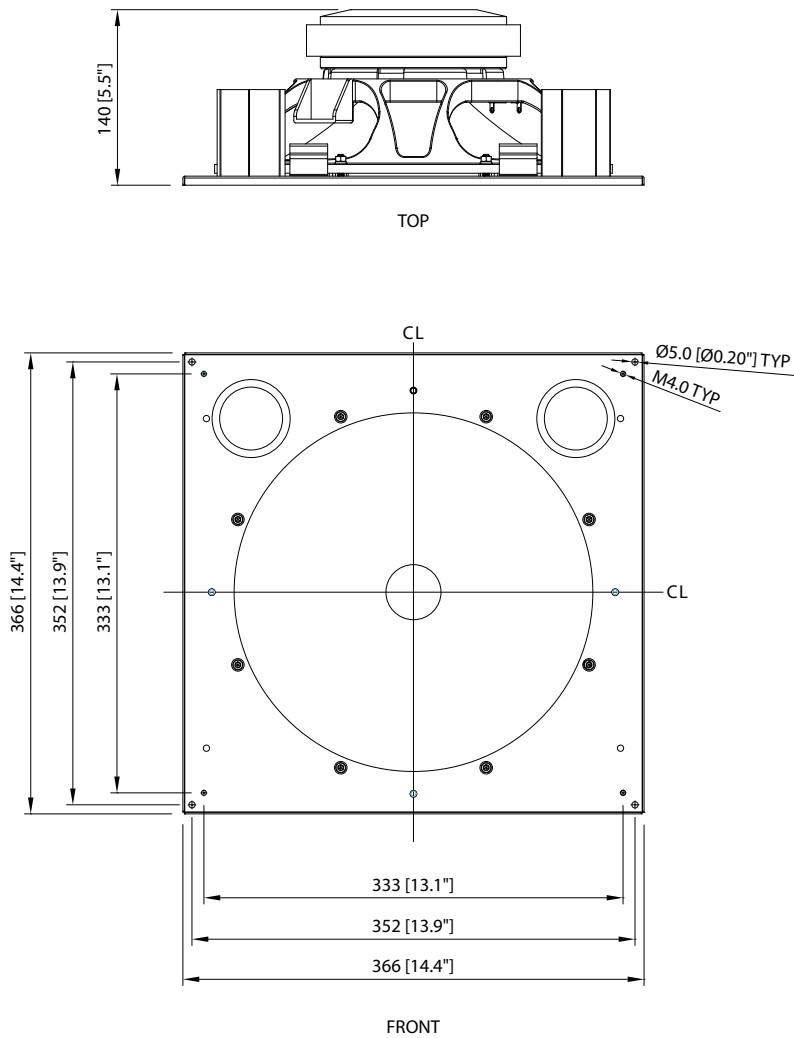


Install

# CMS 1201SW

12" Ceiling Subwoofer for Installation Applications

## Dimensions



## Install

# CMS 1201SW

12" Ceiling Subwoofer for Installation Applications

## Technical Specifications

### Performance

Frequency response (-3 dB) <sup>(1)</sup>	34 Hz - 1 kHz
Frequency range (-10 dB)	30 Hz - 3 kHz
System Sensitivity (1W @1m) <sup>(2)</sup>	93 dB (1 W = 2.83 V for 8 Ohms)
<b>Rated maximum SPL</b>	
Average	120 dB
Peak	126 dB
<b>Power Handling</b>	
Average	400 W
Programme	800 W
Peak	1600 W
<b>Recommended Amplifier Power</b>	800 W @ 8 Ohms
<b>Nominal Impedance</b>	8 Ohms
<b>Transducer</b>	1 x 300 mm (12") Bass Driver with 3" Voice Coil

### Physical

<b>Enclosure</b>	
Backcan	1.6 mm black powder coated steel, damped with particle board
Baffle	1.2 mm black powder coated steel
Grille	1.0 mm white powder coated perforated steel
Connectors	Terminal barrier strip inside the can, with loop thru capability
<b>Safety Features</b>	Safety ring located at the rear of enclosure for load bearing safety bond
<b>Cable Entry Options</b>	20 mm and 28 mm on knockouts
<b>Conduit Knockouts</b>	4 sides + top
<b>Dimensions (H x W x D) including optional backcan</b>	331 x 725 x 516 mm (13.0 x 28.5 x 20.3")
<b>Dimensions (H x W x D) including optional backcan</b>	331 x 725 x 516 mm (13.0 x 28.5 x 20.3")
<b>Net Weight</b>	
Backcan	21.8 kg (48.0 lbs)
1201SW	6.9 kg (15.2 lbs)
Grille	1.0 kg (2.2 lbs)

#### Notes:

1. Average over stated bandwidth. Measured in an IEC baffle in an Anechoic Chamber
2. Unweighted pink noise input, measured at 1 metre on axis
3. PEQ1: 50Hz +2.6dB 1Q  
PEQ2: 175Hz -4.6dB 1Q

A full range of measurements, performance data, CLF and Ease™ Data for CMS 1201SW can be downloaded from [www.tannoypro.com](http://www.tannoypro.com).

# CMS 1201SW

12" Ceiling Subwoofer for Installation Applications

## Architecture & Engineering Specifications

The loudspeaker shall be of the ceiling-mounted passive subwoofer type, consisting of one 12" (300 mm) LF driver with a 3" voice coil. Performance specifications of a typical production unit shall meet or exceed the following: frequency response, measured with swept sine wave input, shall be flat within  $\pm 3$  dB from 34 Hz to 1 kHz and within -10 dB from 30 Hz to 3 kHz. Nominal impedance shall be 8 Ohms. Power handling shall be 800 Watts programme, 1,600 Watts peak. Sensitivity, measured on axis, mean averaged over the stated bandwidth, shall be 93 dB, 1 Watt @ 1 metre. Maximum SPL (peak), measured at 1 metre with music program at stated amplifier input, shall be 126 dB. Dimensions including optional backcan: 331 mm high x 725 mm wide x 516 mm deep (13.0" x 28.5" x 20.3"). Net weight including baffle, optional backcan, and optional grill: 29.7 kg (65.5 lbs). The loudspeaker system shall be the TANNNOY CMS 1201SW. No other loudspeaker shall be acceptable unless submitted data from an independent test laboratory

Install

# CMS 1201SW

12" Ceiling Subwoofer for Installation Applications



Install

# CMS 1201SW

12" Ceiling Subwoofer for Installation Applications





Install

# CMS 1201SW

12" Ceiling Subwoofer for Installation Applications



## Install

# CMS 1201SW

12" Ceiling Subwoofer for Installation Applications



For service, support or more information contact the TANNOY location nearest you:

**Europe**  
**MUSIC Tribe Brands UK Ltd.**  
Tel: +44156 273 2290  
Email: CARECrea@music-group.com  
CAREnte@music-group.com  
CARELife@music-group.com

**USA/Canada**  
**MUSIC Tribe Commercial NV Inc.**  
Tel: +1 702.800 8290  
Email: CARECrea@music-group.com  
CAREnte@music-group.com  
CARELife@music-group.com

**Japan**  
**MUSIC Tribe Services JP K.K.**  
Tel: +81 3 6231 0453  
Email: CARECrea@music-group.com  
CAREnte@music-group.com  
CARELife@music-group.com

MUSIC Tribe accepts no liability for any loss which may be suffered by any person who relies either wholly or in part upon any description, photograph, or statement contained herein. Technical specifications, appearances and other information are subject to change without notice. All trademarks are the property of their respective owners. MIDAS, KLARK TEKNIK, LAB GRUPPEN, LAKE, TANNOY, TURBOSOUND, TC ELECTRONIC, TC HELICON, BEHRINGER, BUGERA and COOLAUDIO are trademarks or registered trademarks of MUSIC Group IP Ltd. © MUSIC Group IP Ltd. 2018 All rights reserved.

# TANNOY